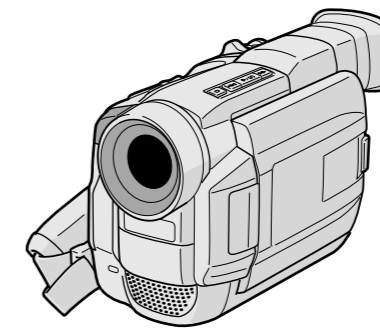


JVC

SERVICE MANUAL

DIGITAL VIDEO CAMERA

GR-DVL300ED/500ED/800ED



Mini DV PAL
DSC
DIGITAL
STILL CAMERA

Regarding service information other than these sections, refer to the GR-DVL107EG, DVL307EG service manual (No. 86557). Also, be sure to note important safety precautions provided in the service manual.

SPECIFICATIONS *(The specifications shown pertain specifically to the model GR-DVL800ED)*

Camcorder		For Digital Still Camera	
For General		Storage media	: Built-in flash memory, 2 Mbyte
Power supply	: DC 6.3 V --- (Using AC Power Adapter/Charger) DC 7.2 V --- (Using battery pack)	Compression system	: JPEG (compatible)
Power consumption		File size	: VGA: 640 x 480 pixels
LCD monitor off, viewfinder on	: Approx. 4.3 W	Picture quality	: 2 modes (FINE/STANDARD)
LCD monitor on, viewfinder off	: Approx. 5.3 W	Approximate number of storable images	
Video light	: Approx. 3.5 W	FINE	: 30
Dimensions (W x H x D)	: 80 mm x 96 mm x 170 mm (with the LCD monitor closed and the viewfinder pushed down)	STANDARD	: 60
Weight	: Approx. 580 g	For Connectors	
Operating temperature	: 0°C to 40°C	S	: Y : 1 V (p-p), 75 Ω , analogue output C : 0.29 V (p-p), 75 Ω , analogue output
Operating humidity	: 35% to 80%	AV	
Storage temperature	: -20°C to 50°C	Video output	: 1 V (p-p), 75 Ω , analogue
Pickup	: 1/4" CCD	Audio output	: 300 mV (rms), 1 k Ω , analogue, stereo
Lens	: F 1.8, f = 3.6 mm to 36 mm, 10:1 power zoom lens	DV	
Filter diameter	: ϕ 37 mm	Input/output	: 4-pin, IEEE 1394 compliant
LCD monitor	: 3.5" diagonally measured, LCD panel/TFT active matrix system	PC (DIGITAL PHOTO)	
Viewfinder	: Electronic viewfinder with 0.44" colour LCD	Digital still output	: ϕ 2.5 mm, 3-pole
Speaker	: Monaural	JLIP/EDIT	: ϕ 3.5 mm, 4-pole
For Digital Video Camera		AC Power Adapter/Charger AA-V40ED	
Format	: DV format (SD mode)	Power requirement	: AC 110 V to 240 V \sim , 50 Hz/60 Hz
Signal format	: PAL standard	Power consumption	: 23 W
Recording/Playback format	: Video : Digital component recording Audio : PCM digital recording, 32 kHz 4-channel (12-bit), 48 kHz 2-channel (16-bit)	Output	
Cassette	: Mini DV cassette	Charge	: DC 7.2 V --- , 1.2 A
Tape speed	: SP: 18.8 mm/s LP: 12.5 mm/s	VTR	: DC 6.3 V --- , 1.8 A
Maximum recording time (using 80 min. cassette)	: SP: 80 min. LP: 120 min.	Dimensions (W x H x D)	: 68 mm x 38 mm x 110 mm
		Weight	: Approx. 260 g
		<i>Specifications shown are for SP mode unless otherwise indicated. E & O.E. Design and specifications subject to change without notice.</i>	

JVC

VICTOR COMPANY OF JAPAN, LIMITED
VIDEO DIVISION

S40894

TABLE OF CONTENTS

DIFFERENT TABLE	1 to 4
4. CHARTS AND DIAGRAMS	
4.1 BOARD INTERCONNECTIONS	4-1
4.2 SYSCON SCHEMATIC DIAGRAM	4-2
4.3 CAMERA DSP SCHEMATIC DIAGRAM	4-3
4.4 DSC SCHEMATIC DIAGRAM	4-4
4.5 MAIN CIRCUIT BOARD	4-6
4.6 JACK, REAR AND JUNCTION CIRCUIT BOARDS	4-12
4.7 DSC CIRCUIT BOARD	4-14
5. PARTS LIST	
5.1 PACKING AND ACCESSORY ASSEMBLY <M1>	5-1
5.2 FINAL ASSEMBLY <M2>	5-3
5.3 MONITOR ASSEMBLY <M5>	5-6
5.4 ELECTRICAL PARTS LIST	
MONITOR BOARD ASSEMBLY <02>	5-7
LCD BL BOARD ASSEMBLY <03>	5-8
DSC BOARD ASSEMBLY (800ED) <10>	5-9

The following table indicate main different points between models GR-DVL107EG, DVL300ED, DVL307EG, DVL500ED and GR-DVL800ED.

ITEM \ MODEL	GR-DVL107EG	GR-DVL300ED	GR-DVL307EG	GR-DVL500ED	GR-DVL800ED
AC POWER ADAPTER CHARGER	AA-V40EG	AA-V40ED	AA-V40EG	AA-V40ED	←
BATTERY PACK	BN-V408U	←	←	←	BN-V416U
CONNECTOR, CABLE ADAPTER	Provided	Optional	Provided	Optional	←
DIGITAL ZOOM	100X	450X	100X	450X	←
DSC	Not used	←	←	←	Used
DV CABLE	Provided	Optional	Provided	Optional	←
LCD MONITOR	2.5"	←	3.5	3.0"	3.5"
PC CONNECTION CABLE	Optional	Provided	←	←	←
RM CABLE, EDITING CABLE	Optional	←	Provided	Optional	←
REMOTE CONTROL UNIT	RM-V716U	RM-V711U	RM-V716U	RM-V711U	←
S CABLE, S-VIDEO CABLE	Optional	Provided	Optional	Provided	←
VIEW FINDER	Black/White	←	Color	←	←

Note: Mark ← is same as left.

The following table indicate different parts number between models GR-DVL107EG, DVL300ED, DVL307EG, DVL500ED and GR-DVL800ED.

PACKING AND ACCESSORY ASSEMBLY<M1> Note: As for IB (INSTRUCTIONS) and CORE FILTER, refer to sec. 5.

REF NO.	ITEM	MODEL	GR-DVL107EG	GR-DVL300ED	GR-DVL307EG	GR-DVL500ED	GR-DVL800ED
1	PACKING CASE		LY31752-005A	LY31631-014A	LY31631-010A	LY31631-016A	LY31631-017A
2	CUSHION		LY31735-001A	LY31632-001A	←	←	←
8	SHEET(AGREEMENT)		-	LYT0378-003A	←	←	←
10	WARRANTY CARD		BT-54013-1	BT-59007-2	BT-54013-1	BT-59007-2	←
12	CD ROM ASSY		-	LY31133-009A	LY31074-011A	LY31133-009A	LY31133-011A
13	CABLE ASSY, EDITING CABLE		PEAC0428-150	-	-	-	-
15	RM CABLE, EDITING CABLE		-	-	QAM0214-001	-	-
△ 17	BATTERY PACK		LY31587-001A	←	←	←	LY31730-001A
20	PC CONNECTION CABLE		-	QAM0084-001	←	←	←
21	REMOTE CONTROL UNIT		LY20543-002A	YQ20922Q	LY20543-002A	YQ20922Q	←
22	BATTERY, AAA(R03), X2		Used	Not used	Used	Not used	←
23	CONNECTOR, CABLE ADAPTER		PEMC1000-01-02	-	PEMC1000-01-02	-	-
29	S CABLE, S-VIDEO CABLE		-	QAM0004-003	-	QAM0004-003	←
30	DV CABLE		QAM0100-002	-	QAM0100-002	-	-
△ 36	AC POWER ADAPTER CHARGER		LY20591-003B	LY20591-005B	LY20591-003B	LY20591-005B	←
37	LI BATTERY		-	PECA0903	-	PECA0903	←
38	SERVICE NETWORK		-	BT-59012-1	-	BT-59012-1	←

FINAL ASSEMBLY <M2>

REF NO.	ITEM	MODEL	GR-DVL107EG	GR-DVL300ED	GR-DVL307EG	GR-DVL500ED	GR-DVL800ED
111	UPPER CASE (2.5/3) ASSY		LY20557-003C	LY20557-003E	LY20550-007C	←	LY20550-006C
111C	SPACER, X2		LY40664-002A	LY40664-001A	LY40664-002A	←	←
127	TOP COVER (2.5/3)		LY20559-004A	LY20559-002A	LY20552-002A	LY20552-001A	LY20552-007A
149	KNOB (SLIDE)		-	-	-	-	LY42168-002A
168	SHEET		-	LY42583-001A	-	LY42583-001A	←
216	SPECIAL SCREW, X2		-	-	-	-	LY30018-050A

ELECTRONIC VIEWFINDER ASSEMBLY <M4>

REF NO.	ITEM	MODEL	GR-DVL107EG	GR-DVL300ED	GR-DVL307EG	GR-DVL500ED/800ED
300	COLOR VF UNIT		-	-	LY20596-003A	LY20596-003B
350	E.VF ASSY		LYH20136-003A	←	-	-

MONITOR ASSEMBLY <M5>

REF NO.	ITEM	MODEL	GR-DVL107EG	GR-DVL300ED	GR-DVL307EG	GR-DVL500ED	GR-DVL800ED
△ 500	MONITOR ASSY		LYH20135-008B	LYH20135-013A	LYH20135-007A	LYH20135-015A	LYH20135-011A

Note: Mark - is not used. Mark ← is same as left.

MAIN BOARD ASSEMBLY <01>

REF NO.	MODEL		GR-DVL107EG	GR-DVL300ED	GR-DVL307EG	GR-DVL500ED	GR-DVL800ED
	ITEM						
PW	MAIN BOARD ASSY		YB10277PA-02	YB10277PA-05	YB10277PC-02	YB10277PC-05	YB10277PB-05
SYSCON							
IC1015	IC		-	-	-	-	TC7W66FK
R1039	MG RESISTOR		NRSA6AJ-103W	←	←	←	-
R1069	MG RESISTOR		-	-	-	-	NRSA6AJ-0R0W
R1070	MG RESISTOR		-	-	-	-	NRSA6AJ-0R0W
R1078	MG RESISTOR		-	-	-	-	NRSA6AJ-103W
R1079	MG RESISTOR		-	-	-	-	NRSA6AJ-103W
CAMERA DSP							
R4301	MG RESISTOR		-	-	-	-	NRSA6AJ-560W
RA4304	NETWORK RESISTOR		-	-	-	-	NRZ0034-560W
RA4305	NETWORK RESISTOR		-	-	-	-	NRZ0034-560W
RA4306	NETWORK RESISTOR		-	-	-	-	NRZ0034-560W
C4336	CAPACITOR		-	-	-	-	NDCA1HJ-120W
REG							
Q6164	TRANSISTOR		2SC4617/QR/-X	←	-	-	-
R6171	MG RESISTOR		NRSA6AJ-222W	←	-	-	-
C6165	CAPACITOR		NCB21CK-105X	←	-	-	-
OTHER							
CN109	CONNECTOR		-	-	-	-	QGB0509M1-30X

MONITOR BOARD ASSEMBLY <02>

REF NO.	MODEL		GR-DVL107EG	GR-DVL300ED	GR-DVL307EG	GR-DVL500ED	GR-DVL800ED
	ITEM						
PW1	MONITOR BOARD ASSY		YB10280H1-02	←	YB10280K1-01	←	YB10280R1-01

LCD BL BOARD ASSEMBLY <03>

REF NO.	MODEL		GR-DVL107EG	GR-DVL300ED	GR-DVL307EG	GR-DVL500ED	GR-DVL800ED
	ITEM						
PW2	LCD BL BOARD ASSY		YB10280C2-01	←	YB10280B2-01	YB10280A2-01	YB10280B2-01

JUNCTION BOARD ASSEMBLY <05>

REF NO.	MODEL		GR-DVL107EG/307EG	GR-DVL300ED/500ED/800ED
	ITEM			
PW2	JUNCTION BOARD ASSY		YB10278A2-01	YB10278A2-02

Note: Mark - is not used. Mark ← is same as left.

JACK BOARD ASSEMBLY <06 >

REF NO.	ITEM	MODEL	GR-DVL107EG/307EG	GR-DVL300ED/500ED/800ED
PW1	JACK BOARD ASSY		YB10278A1-01	YB10278A1-02

REAR BOARD ASSEMBLY <07>

REF NO.	ITEM	MODEL	GR-DVL107EG/307EG	GR-DVL300ED/500ED/800ED
PW3	REAR BOARD ASSY		YB10278A3-01	YB10278C3-02
OT1	PIN		-	LY42702-001A

B/W VF BOARD ASSEMBLY <08>

REF NO.	ITEM	MODEL	GR-DVL107EG	GR-DVL300ED	GR-DVL307EG	GR-DVL500ED/L800ED
PW3	B/W VF BOARD ASSY		YB10280A3-01	←	-	-

DSC BOARD ASSEMBLY <10>

REF NO.	ITEM	MODEL	GR-DVL107EG	GR-DVL300ED	GR-DVL307EG	GR-DVL500ED	GR-DVL800ED
PW	DSC BOARD ASSY		-	-	-	-	YB20879B-01